

Specification sheet LX 1607

Parapet drainage system Series 62 DRAINLET® without roof penetration

Emergency drainage

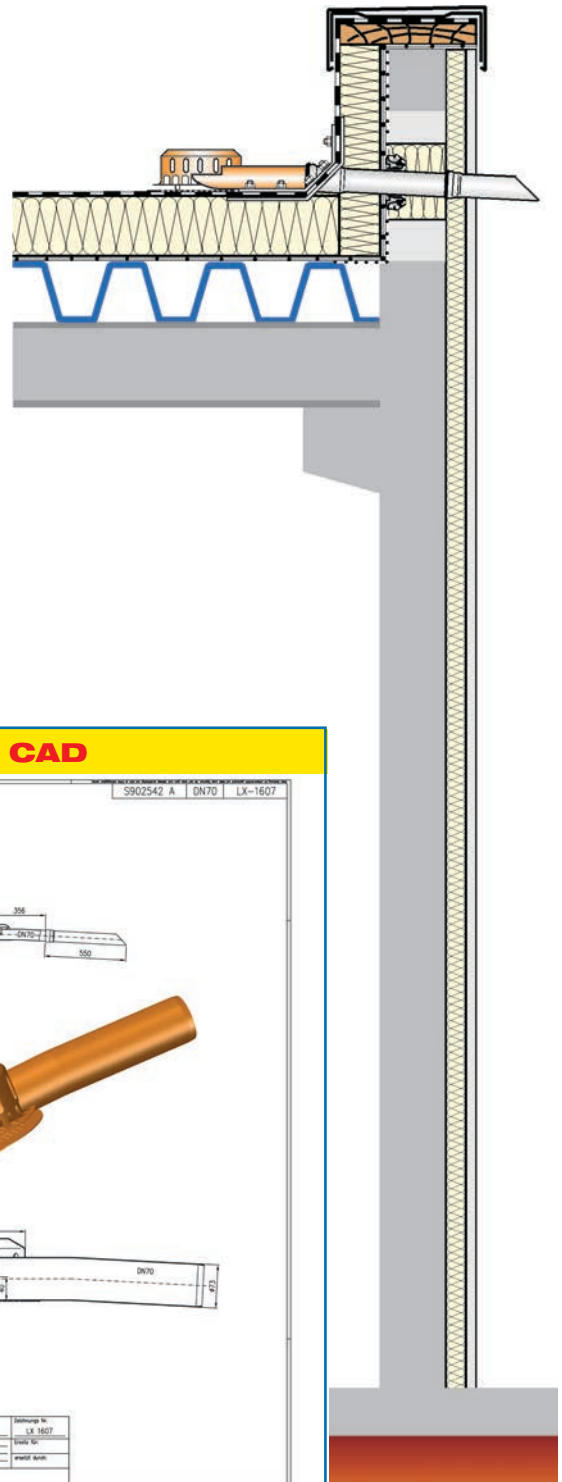
Gravity flow

Silent

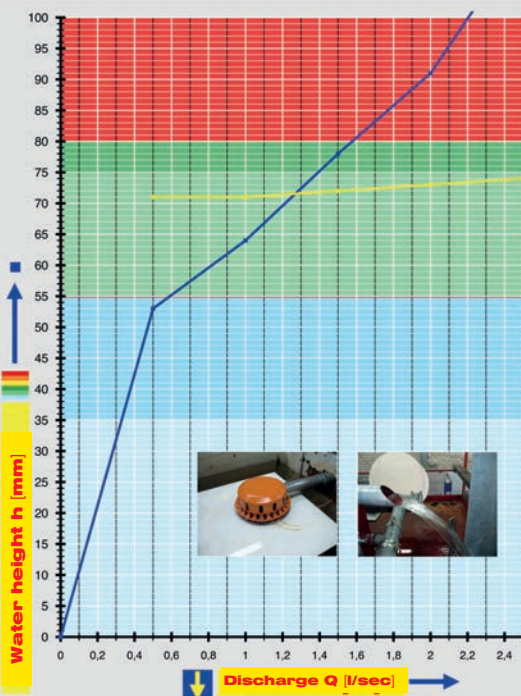
Discharge rate:	1,4 l/sec
Water height:	75 mm
Roof penetration:	0 mm
Diameter:	DN 70
LX-Number:	LX 1607
Weir height:	40 mm
Drain:	ventilated
Downpipe:	ventilated
Downpipe height:	-
Drainage:	on floor

LX 1607 Piece list

- 1 x Art.-No. choose drain on page two!
- 1 x Art.-No. 01401.070X, LORO-X Pipe with one socket
- 1 x Art.-No. 13235.070X, LORO-X Sliding flange
- 1 x Art.-No. 00911.070X, LORO-X Sealing element
- 1 x Art.-No. 00986.000X, LORO-X Lubricant

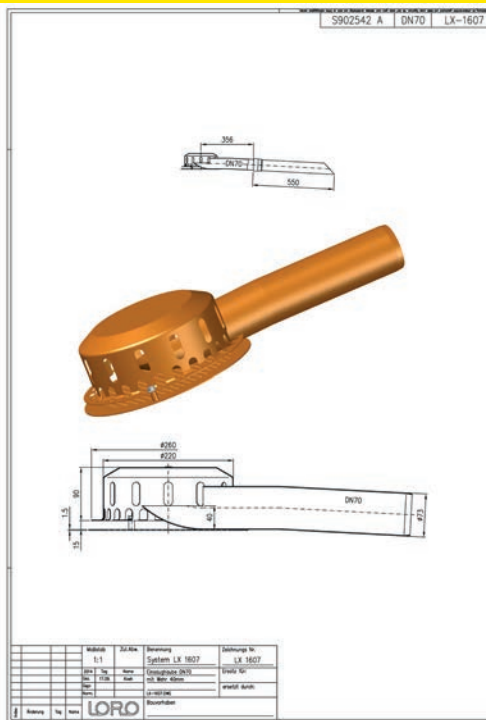


hQ - Head-Discharge curve



Systempower

CAD



Systemshape

Water height	mm	20	25	30	35	40	45	50	55	60	65	70	75	80	85	90	95	100
Discharge	l/sec	-	-	-	-	-	-	-	0,5	0,7	1,0	1,2	1,4	1,6	1,8	2,0	2,1	2,2
Silent																		

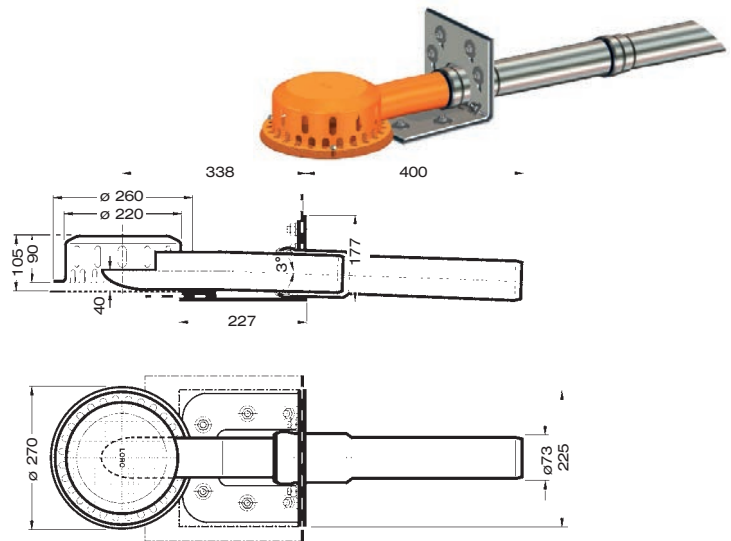
Choose drain for piece list on page one!

DN 70

LX1607-1X

Drain Art.-No. 01341.070X

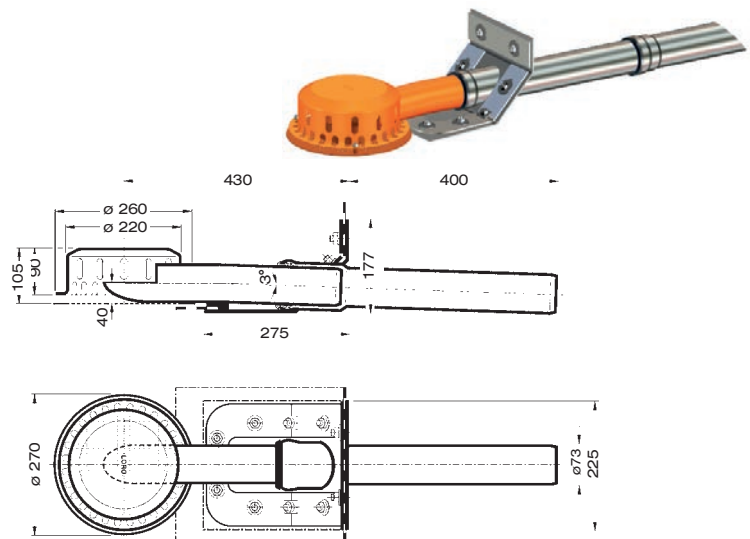
clamping flange 90°
for plastic roofing sheets
Weir height 40 mm



LX1607-2X

Drain Art.-No. 01355.070X

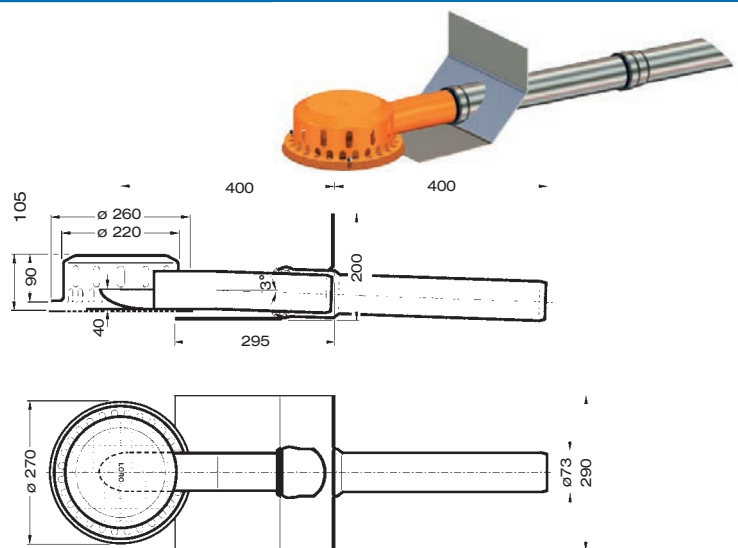
clamping flange 45°
for bituminous roofing sheets
Weir height 40 mm



LX1607-3X

Drain Art.-No. 01397.070X

bonding flange 45°
for bituminous roofing sheets
Weir height 40 mm



Heat tracing: Lorowerk recommends to check all drains and pipes with regard to their frost-sensibility. Where necessary, these parts should be upgraded with heat tracing.